

## 26ft Scissor Lift

### PERFORMANCE\*

Platform Height (Indoor Only)	7.80 m
Platform Capacity (Indoor Only)	230 kg
Capacity on Platform Extension	120 kg
Lift/Lower Time	56/42 Seconds
Maximum Drive Height (Indoor Only)	Full Height
Weight*	1,955 kg
Drive Speed–Elevated	0.8 km/h
Drive Speed–Lowered	3.2 km/h
Gradeability	25%
Turning Radius (Inside)	Zero
Turning Radius (Outside)	2.2 m

\* Certain options or country standards will increase weight.

### STANDARD SPECIFICATIONS\*

#### Power Source

Batteries	4 x 6V 220 amp-hr
Charger	27 amp
Drive	Hydraulic Front-wheel

#### Hydraulic Reservoir

- Capacity 15 L
- Pump Fixed Displacement Gear

#### Tires

- Tire Size/Type (Non-Marking) 406 x 127 mm

#### Brakes

- Multi-Disc Friction



### STANDARD FEATURES\*

- Proportional Controls
- Battery Condition Indicator
- All Motion Alarm
- 27 amp Multi-Function Universal Charger
- Horn
- Hourmeter
- Tilt Alarm and Light
- Lanyard Attach Points
- Moveable, Removable Platform Control
- Nickel Plated Pins
- Lubrication Free Scissor Arm Bushings
- Scissor Maintenance Prop
- Self-centering Arm Stack
- Active Pothole Protection System
- Lifting and Tie Down Points
- Fork Lift Pockets
- Foot-Actuated Deck Extension
- Steel Swing-Out Doors
- Variable Tilt Visual Zone Indicator
- Manual Descent Cable
- Diamond Tread Steel Deck
- Greaseless Kingpin Joints
- Analyzer Port for Diagnostics
- Dynamic Braking
- Flashing Amber Beacon
- Self Closing, Self Latching Gate
- MDI (Ground)
- Drive Motor Covers
- AS/NZS 1418.10 Compliance

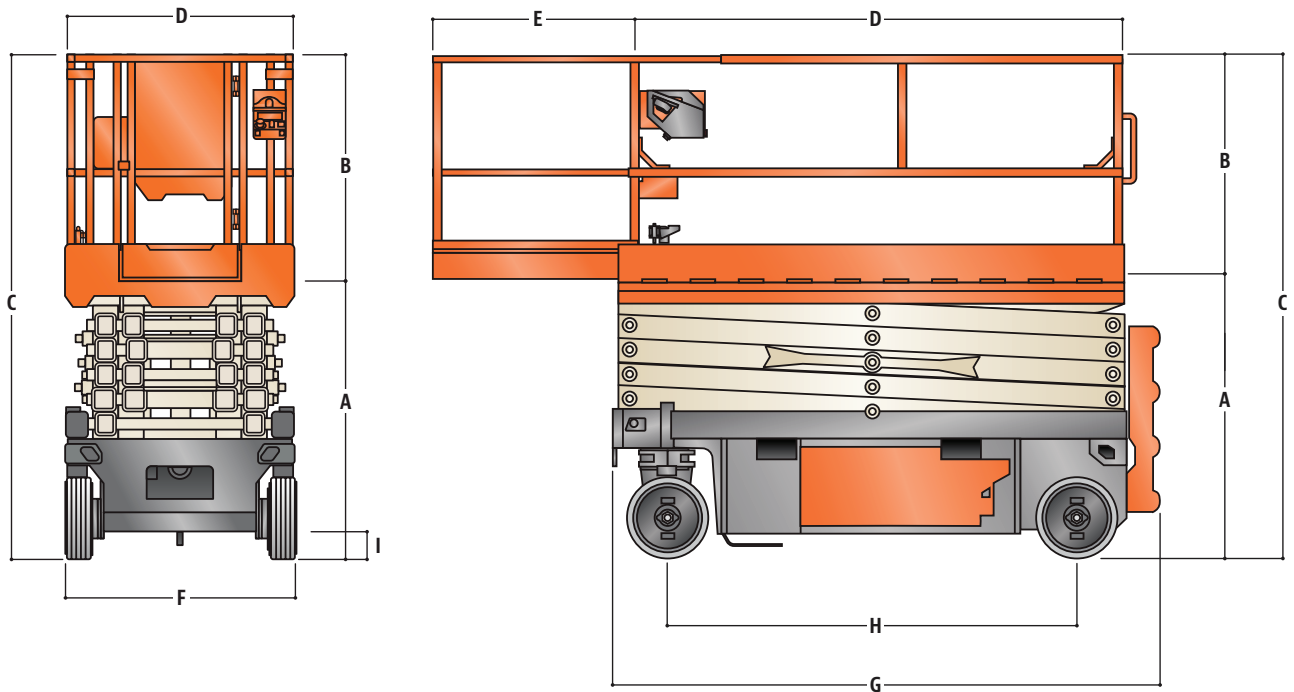
### ACCESSORIES & OPTIONS

- 220 Amp-Hour AGM Batteries
- Fire Extinguisher
- Anti-Vandalism Package for Ground Controls and Platform Controls
- Ambient Noise (Squaker) Alarm
- AC Outlet To Platform incl. ELCB
- Pipe Racks
- ClearSky
- Access Control
- Mobile Control
- SkySense

### 26ft Scissor Lift

#### Dimensions

All dimensions are approximate.



A. Platform Height-Lowered	1.10 m
B. Platform Railing Height	1.13 m
C. Overall Height (Rails Up)	2.23 m
(Rails lowered)	1.80 m
D. Platform Size	0.70 m x 2.10 m

E. Platform Extension	0.86 m
F. Overall Width	0.81 m
G. Overall Length	2.40 m
H. Wheelbase	1.90 m
I. Ground Clearance	0.10 m